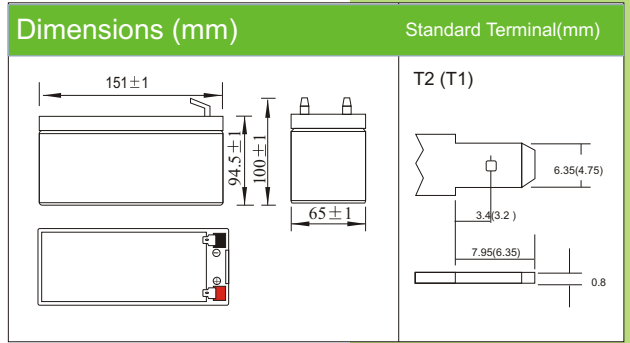
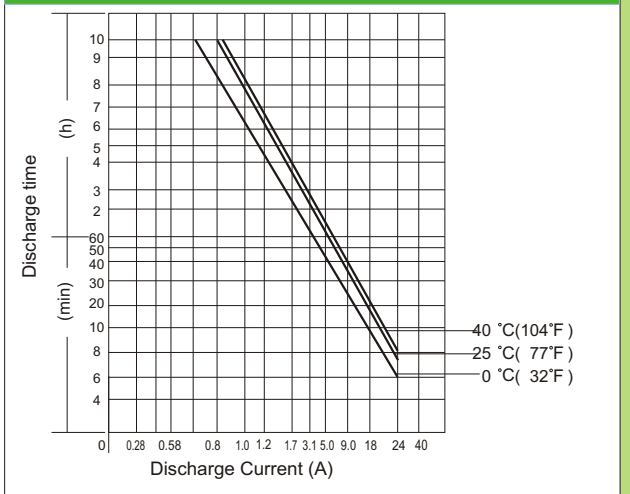




DJW12-9.0(12V9.0AH)

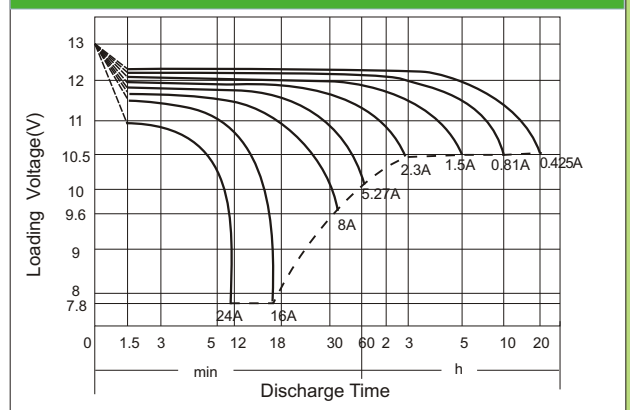


Discharging Current & Discharge Duration Time



PHYSICAL SPECIFICATION		
Nominal Voltage		12V
Nominal Capacity (20HR)		8.5AH
Dimension	Length	151 ± 1 mm (5.95 inches)
	Width	65 ± 1 mm (2.56 inches)
	Container Height	94.5 ± 1 mm (3.72 inches)
	Total Height (with Terminal)	100 ± 1 mm (3.94 inches)
Weight		Approx 2.75kg (6.06lbs)
Standard Terminal		T2 or T1(standard)

Discharge Characteristics (25°C, 77°F)



ELECTRICAL SPECIFICATION					
Rated Capacity	20 hour rate (425mA)	8.5AH	Constant-Voltage Charge	Cycle	Initial Charging Current less than 2.55A. Voltage 14.4V~ 15.0V at 25°C (77°F) Temp. Coefficient -30mV/°C
	10 hour rate (810mA)	8.1AH			
	5 hour rate (1.50A)	7.5AH			
	1 hour rate (5.27A)	5.27AH			
	15minute rate (17.5A)	4.38AH			
Capacity affected by Temperature	40C (104F)	103%	Standby	No limit on Initial Charging Current Voltage 13.5V~13.8V at 25°C (77°F) Temp. Coefficient -20mV/°C	
	25C (77F)	100%			
	0C (32F)	86%			
Internal Resistance	Fully charged battery (25°C, 77°F) 18mΩ				

Constant Current (Amp) and Constant Power (Watt/Cell) Discharge Table

Final voltage	Time	Discharge Time (Minute) to final voltage /cell													
		0.5	1	2	3	6	10	20	30	60	120	180	300	600	
1.75V	A	49.1	45.0	40.9	32.7	22.6	19.2	11.7	8.97	5.16	3.03	2.29	1.53	0.81	
25°C	W	77.8	66.7	60.6	48.3	33.7	34.7	21.3	16.61	9.88	5.83	4.55	3.03	1.62	
1.70V	A	66.1	59.3	53.8	43.0	29.0	20.9	12.3	9.32	5.33	3.15	2.35	1.60	0.85	
25°C	W	106	91.3	82.5	66.7	43.4	36.3	22.3	17.23	10.2	6.24	4.58	3.11	1.70	
1.60V	A	85.9	75.6	66.7	52.4	34.4	24.1	13.3	10.35	5.70	3.33	2.51	1.71	0.87	
25°C	W	124	107	95.4	74.9	48.4	40.9	23.6	20.44	10.6	6.36	4.82	3.30	1.72	
1.75V	A	43.0	38.9	36.0	28.6	19.4	17.2	10.4	8.02	4.62	2.71	2.05	1.37	0.72	
5°C	W	68.2	61.4	57.3	45.0	31.6	31.1	19.0	14.86	8.84	5.22	4.07	2.72	1.45	
1.70V	A	59.3	54.5	49.1	38.9	25.8	18.7	11.0	8.34	4.77	2.82	2.10	1.43	0.76	
5°C	W	91.3	80.4	73.7	59.2	40.3	32.5	20.0	15.42	9.09	5.59	4.10	2.78	1.52	
1.60V	A	73.7	65.5	56.7	44.2	28.4	21.6	11.9	9.26	5.11	2.98	2.25	1.53	0.78	
5°C	W	114	99.5	88.6	71.6	47.3	36.6	21.1	18.30	9.53	5.70	4.31	2.95	1.54	